



# Q2w8c

## MANUAL DIALYSIS BED

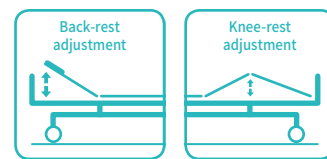


Healthward<sup>uk</sup>

Healthier  
your life

# Q2w8c

## FEATURES AND HIGHLIGHTS



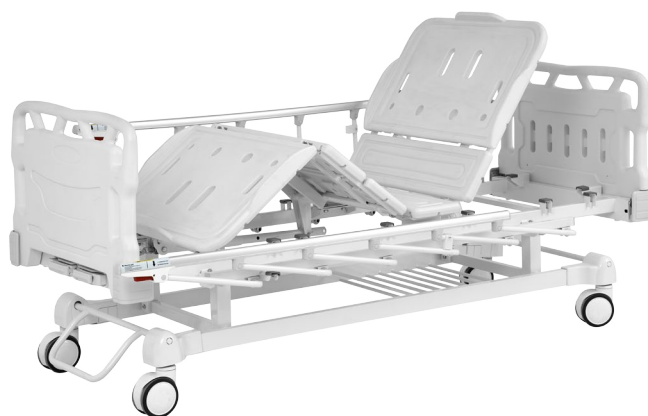
### Technical parameters

▪ External size (LxWxH)	2185x880x540mm±10 mm
▪ Mattress platform	1940x780mm±10mm
▪ Back-rest adjustment	0-75° (±10°)
▪ Knee-rest adjustment	0-35° (±10°)



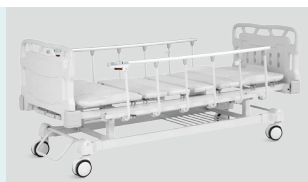
### Technical configuration

<input checked="" type="checkbox"/> Manual Cranks	2pcs
<input checked="" type="checkbox"/> Aluminium Alloy Side Rail with Extra Protection	1 set
<input checked="" type="checkbox"/> 5" Double side castors, Central Locking System	4pcs
<input checked="" type="checkbox"/> PP bed ends with safe lock	1 set
<input checked="" type="checkbox"/> PP bed platform, Removeable&Washable	4 pcs
<input checked="" type="checkbox"/> Iv pole	1pc
<input checked="" type="checkbox"/> Iv pole prevision	4pcs



#### Design

Modern design. Use new and strong inserted PP fire-proof panel avoid off. Easy to be cleaned and installed



#### Mechanical functions

2 Functions: Backrest adjustment, Legrest adjustment



#### Castors

5" Double side castors with central locking system  
Pass Dynamic test: Bearing 120kg run 30KM and pass obstacles 500 times



#### Platform

PP platform, removeable, washable

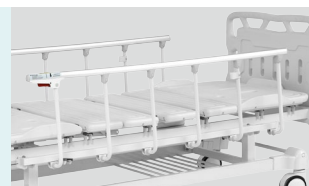


**Head & Foot Board**

Modern design. Use new and strong inserted ABS fire-proof panel avoid off. Easy to be cleaned and installed.

**Siderail**

L-shaped foldable guardrail (Patent), bended tube, solid installing, 0 shaking, anti-pinch, protect ensure patient's safety

**Hand Cranks**

The bed with two functions, controlled by manual cranks. Retractable hand crank, 100,000 times remaining intact

**Mattress Stopper**

Platform integrated mattress stopper on both sides of the back and leg section.

**Utility Shelf**

Detachable utility shelf for patients' personal stuff.

**IV Pole**

Full SS IV pole, bearing 2.5kg per hook





## CONSTANT INNOVATION



Design



Research



Manufacturing



Maintenance



Service



## WORLDWIDE BRANCHES

### USA

**Saikang Medical Technology, Inc.**  
17800 Castleton St Ste 180,  
City of Industry, 91748, California.  
Tel.: +1 949648 2776

### United Kingdom

**UK Healthward International Ltd.**  
Dept. 111, 196 High Road Wood  
Green, N22 8HH, London.  
Tel.: +44 2032399738

### Russia

**Saikang Medical Russia LLC**  
Truda 174,  
454080 Chelyabinsk.  
Tel.: +7 (351) 214 5566 / 8811 / 1516

### East Africa

**Saikang Medical Solutions Ltd.**  
Viraj Complex Unit 3, Mombasa  
Road, P.O. Box 14262-00800, Nairobi.  
Kenya.  
Tel.: +254 733 704 690

### Middle East

**Saikang Medical Supplies LLC**  
X22-S03 England Cluster,  
International City, Dubai,  
United Arab Emirates.  
Tel.: +20 128 8962497

# Healthward<sup>uk</sup>

Chengdu Saikang Medical Equipment Co., Ltd.  
STOCK CODE: 870098

📍 No.1, 5th Floor, Building 5, No.360, Wuke West 5th Road ·  
Wuhou District (Chengdu) · China

☎ +86 18021231901 · 🌐 24/7

✉ export@health-ward.com

🌐 www.health-ward.com



Company video



General catalogue